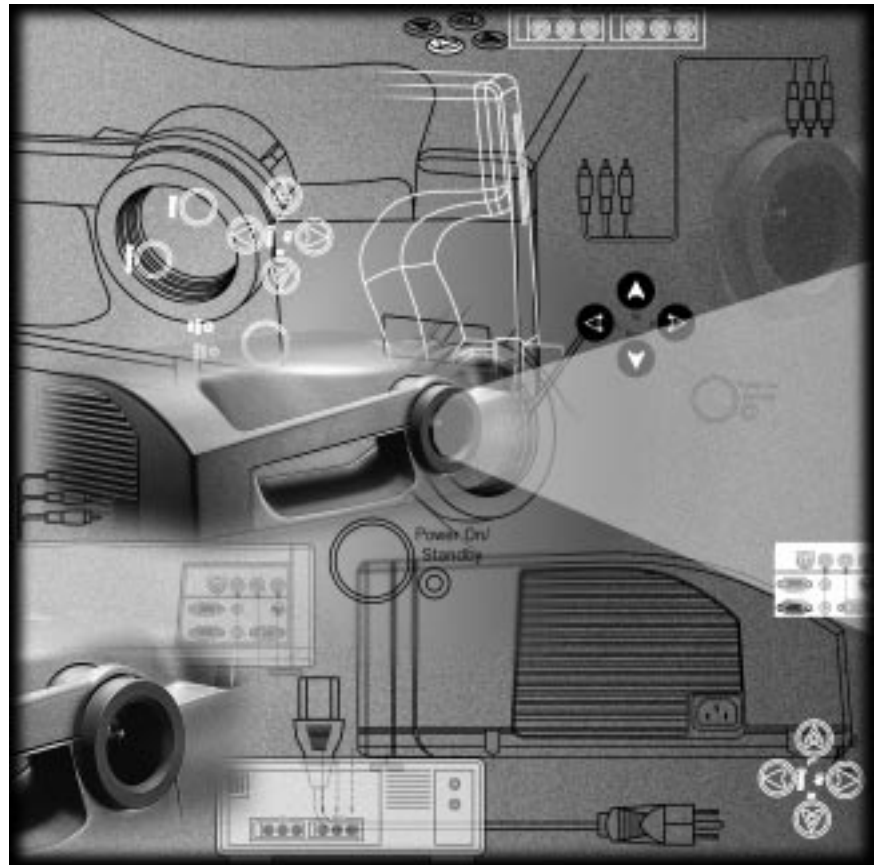




Polaview LCD Projector

330



User's Guide

Table of Contents

Introduction	1
Getting Started	2
Connecting to Power	2
Connecting to an IBM-compatible Desktop PC	3
Connecting to an IBM-compatible Laptop PC	4
Connecting to a Macintosh Desktop PC	4
Connecting to a Macintosh Laptop PC	5
Connecting to Audio	6
Connecting to a Video Player	6
Connecting to the Remote Mouse	7
Operating the Projector	9
Turning On the Projector	9
Focusing the Image	10
Adjusting the Image Size	10
Distance to Screen vs. Image Size	11
Adjusting the Image Height	12
Leveling the Image	13
Operating States	14
Using the Remote Control	15
Remote Control Functions	15
On/Standby	15
Source	16
Menu	16
Direction Keys	16
Joystick	16
Left Mouse	16
Curtain	16
Freeze	16
Zoom In/Zoom Out	16
Pointer	16
Audio Controls	17
Drag	17
Right Mouse and Remote Backlight	17
Using the Menus	18
Main Menu	18
Audio Menu	19
Volume	20
Bass	20
Treble	20
Stereo Mode	20
Mute	20
Balance	20
Reset	20
Picture Menu	20
Frequency	21
Tracking	21
Contrast	21

Brightness	22
Sharpness	22
Room Light	22
Color	22
Tint	22
Reset	22
Source Menu.....	22
Computer	23
Composite	23
S-Video	23
Features Menu.....	23
Language	23
Startup Logo 24	
Curtain Style	24
Compression	24
Ceiling Mount	24
Rear Projection	24
Reset	24
Custom Modes Menu.....	25
Mode 1	26
Mode 2	26
Mode 3	26
Mode 4	26
Reset	26
Service Menu.....	26
Lamp Life	27
Reset Lamp Timer	27
Projector Life	27
Test Pattern	27
Advanced Configuration.....	28
Installing a Custom Startup Logo	28
Configuring the Remote Mouse.....	28
Windows 95	28
Windows 3.x	29
Using the Internal Pointer and Remote Mouse Simultaneously	29
Possible Problem Using the Remote Mouse.....	30
Macintosh Issues.....	30
Macintosh PowerBook Series 140, 145, 145B, 150, 170	31
Macintosh PowerBook Series 200, 230, 250, 280, 2300	31
Macintosh PowerBook 5300	31
Macintosh PowerBook Series 160, 165, 180, 185, 500, 520, 540 ...	31
Macintosh PowerBook 1400	32
Macintosh PowerBook 3400 and G3	32
Activating the Laptop External Video Port	32
Maintaining the Projector	37
Replacing the Lamp Module.....	37
Cleaning the Dust Filters.....	37
Back Filter	38
Bottom Filter	38
Troubleshooting	39

Appendix A - Parts and Accessories.....	45
Parts.....	45
Accessories	45
Appendix B - Specifications	46
Appendix C - Notices, Warranties, Safety Precautions	47
Notices.....	47
FCC Statement	47
Canadian Notice	47
European Notice	47
Declaration of Conformity for U.S.A.....	48
Declaration of Conformity	48
Warranties.....	49
U.S.A. and Canada	49
Outside the U.S.A. and Canada	49

Introduction

The Polaroid Polaview 330 LCD projector is designed for the traveling presenter. Its light weight, small size, and easy-to-use features make it a premium portable presentation system that is ideally suited to small group meetings or large formal presentations. A true XGA (1024x768) projector at 700 lumens, it produces images bright enough to be used in any normal room lighting conditions.

The Polaview 330 LCD projector is compatible with IBM-compatible personal computers and Macintosh computers.

The Polaroid Polaview 330 LCD projector has the following features:

- Stereo audio
- Three-panel polysilicon active matrix liquid crystal display (LCD)
- Palette capable of 16.7 million colors
- Backlit keyboard
- Optical zoom
- Adjustable front foot used to set the projected image height
- Adjustable back feet used to level the projected image
- Startup logo that you can customize
- Automatic projector settings storage and use for up to 10 computers
- Remote control

The Polaroid Polaview 330 LCD projector is a true XGA projector; you do not need to turn off your laptop computer display to see your entire screen in the projected image.

The advanced broadcast video technology allows the Polaview 330 LCD projector to provide bright, sharp NTSC, PAL, and SECAM video images. S-Video and composite inputs insure compatibility with any video source.

The ultra high pressure lamp insures true color rendition with truer whites. With 2000 hours of typical lamp life, you can be on the road for months before you need to replace the lamp.

Getting Started

This section explains how to set up and connect the projector, including information about basic adjustments and interfacing with peripherals.

Connecting to Power

Important: To avoid damage to electronic components, first connect the power cord to the AC socket on the projector, then connect the plug to an AC outlet.

To connect to power:

- 1 Connect the power cord to the AC socket on the projector.
- 2 Connect the power cord plug to an AC outlet.

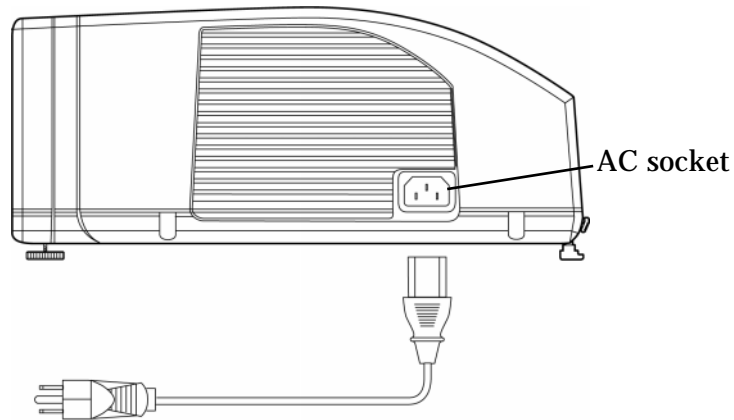


Figure 1: Connecting the Power Cord

The projector enters the *sleep state*, with the fans and lamp off. The Power On/Standby LED, the Lamp Age LED, and the Lamp Status LED on the projector keypad are on while the projector is in the *sleep state*. For more information on the projector's operating states, see "Operating States" on page 14.

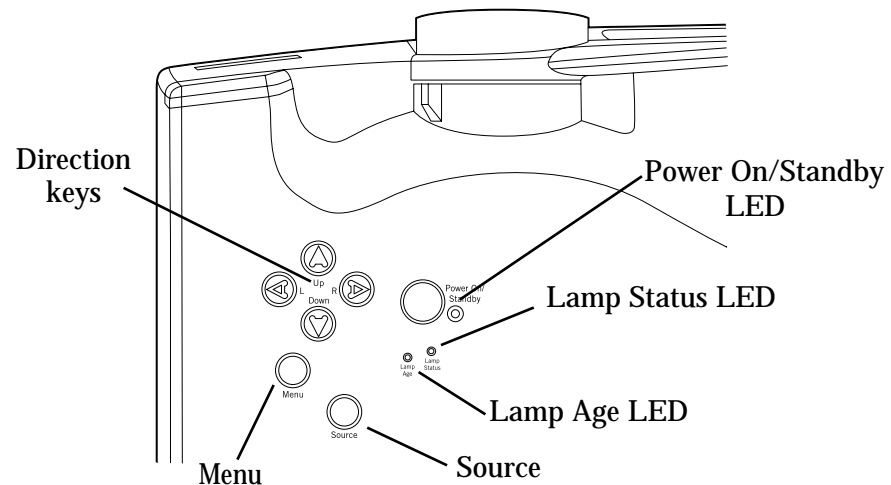


Figure 2: Projector Keypad

Connecting to an IBM-compatible Desktop PC

To connect to an IBM-compatible desktop computer:

- 1 Set the computer display resolution to XGA (1024x768).
- 2 Disconnect the PC monitor cable from the monitor output connector on the computer.
- 3 Connect the VGA/SVGA cable to the Computer In connector on the projector and to the monitor output connector on the computer.

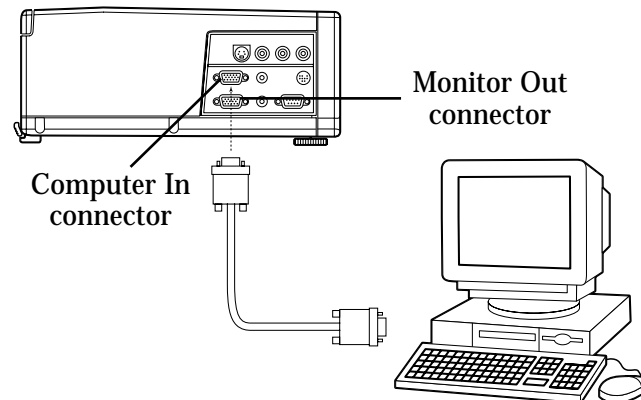


Figure 3: Connecting to an IBM-compatible Desktop PC

If the computer resolution is lower than XGA, the projector automatically resizes the image to fill the screen. If the resolution is higher than XGA, the projector displays a compressed SXGA image or a cropped 1024x768 window of an SXGA screen. If the image is cropped, use the direction keys on the projector or remote control to adjust the display.

If you need to view the computer monitor and the projected image simultaneously, use the 15-pin HD connector to connect the display to the built-in Monitor Loop-Through connector on the projector.

To use the Monitor Loop-Through connection:

- 1 Attach the 15-pin HD gender changer to the Monitor Out connector on the projector.
- 2 Connect the PC monitor cable to the 15-pin HD gender changer.

Connecting to an IBM-compatible Laptop PC

To connect to an IBM-compatible laptop computer:

- 1 Set the computer display resolution to XGA (1024x768) or lower.
- 2 Connect the VGA/SVGA cable to the Computer In connector on the projector and to the external monitor output connector on the laptop computer.

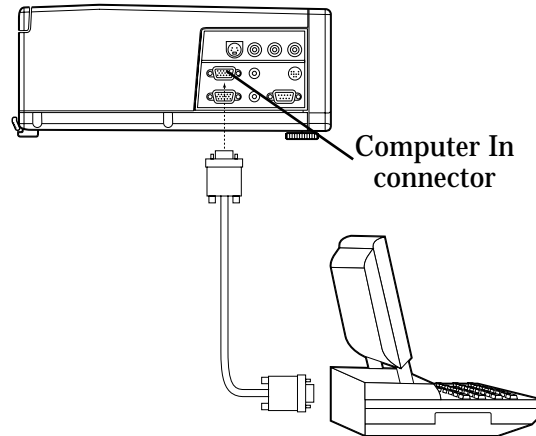


Figure 4: Connecting to an IBM-compatible Laptop PC

- 3 Activate the VGA external monitor port on the laptop computer.

Note: For a list of laptop manufacturers and more information on the method you use to activate the VGA external monitor port, see “Activating the Laptop External Video Port” on page 32.

Connecting to a Macintosh Desktop PC

If your Macintosh desktop computer has a separate VGA output port:

- 1 Connect the VGA cable to the Computer In connector on the projector and to the VGA output connector on the computer.

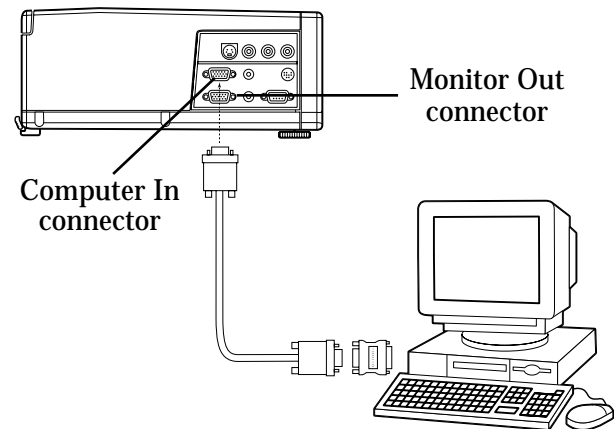


Figure 5: Connecting to a Macintosh Desktop PC

- 2 In the Control Panel of the Macintosh operating system, set the Mirroring option to “On” and select the external monitor as the active monitor. For more information on the Mirroring function, see “Macintosh PowerBook Series 160, 165, 180, 185, 500, 520, 540” on page 31.

If your Macintosh desktop computer does not have a separate VGA output port:

- 1 Disconnect the monitor cable from the monitor output connector on the computer.
- 2 Connect the Macintosh adapter to the monitor output connector on the computer.
- 3 Connect the monitor cable to the output side of the Macintosh adapter.
- 4 Set the DIP switches on the Macintosh adapter to match the output settings of the computer. For more information on the correct DIP switch settings, see “Macintosh Issues” on page 30.

If you need to view the computer monitor and the projected image simultaneously, connect the display to the built-in Monitor Loop-Through connector on the projector.

To use the Monitor Loop-Through connection:

- 1 Connect the Macintosh loop-through adapter to the monitor out connector on the computer.
- 2 Connect the Macintosh monitor cable to the output side of the loop-through adapter.

Connecting to a
Macintosh Laptop
PC

To connect to a Macintosh laptop computer:

- 1 Connect the Macintosh adapter to the external monitor output connector on the laptop computer.
- 2 Connect the VGA cable to the Computer In connector on the projector and to the output side of the Macintosh adapter.

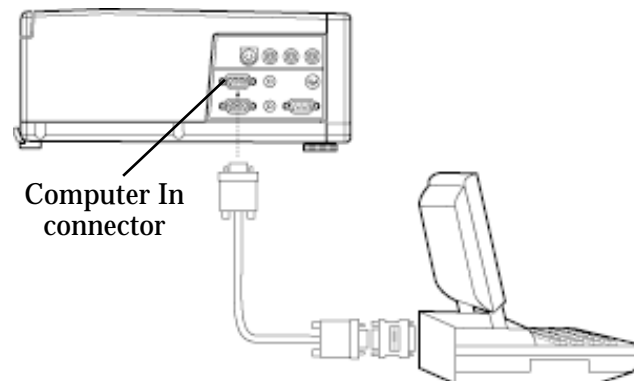


Figure 6: Connecting to a Macintosh Laptop PC

- 3 Set the DIP switches on the Macintosh adapter to match the output settings of the laptop. For more information on the correct DIP switch settings, see “Macintosh Issues” on page 30.
- 4 In the Control Panel of the Macintosh operating system, set the Mirroring option to “On” and select the external monitor as the active monitor. For more information on the Mirroring function, see “Macintosh PowerBook Series 160, 165, 180, 185, 500, 520, 540” on page 31.

Connecting to Audio

You can connect the projector to computer audio output and, once connected, you can provide an audio signal to powered external speakers. Note that there are separate audio input connections for a computer and VCR on the projector.

To connect to computer audio:

- 1 Connect one end of the stereo audio cable (3.5 mm male plugs on each end) to the audio output connector on your computer’s sound card or the speaker output connector on your laptop computer.
- 2 Connect the other end of the stereo audio cable to the Audio In connector on the projector.

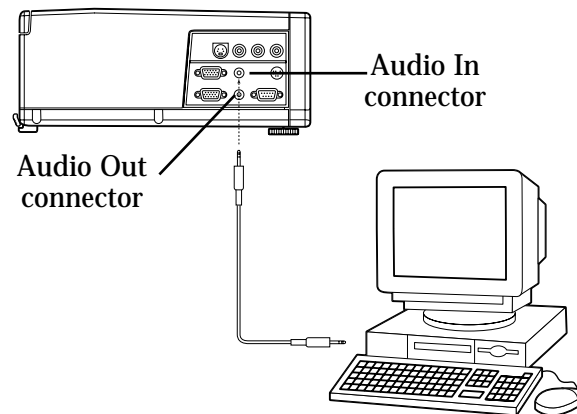


Figure 7: Connecting to Audio

To provide an audio signal to powered external speakers:

- Connect the powered external speaker cable plug to the Audio Out connector on the projector.

Connecting to a Video Player

You can connect either composite video/stereo audio or S-video signal inputs to the projector.

To connect to composite video:

- 1 Connect the red and white audio plugs on the three-wire composite audio/video cable to the left and right audio connectors on the projector and to the audio output connectors on the video player.

- 2 Connect the yellow video plug to the Composite Video In connector on the projector and to the video output connector on the video player.

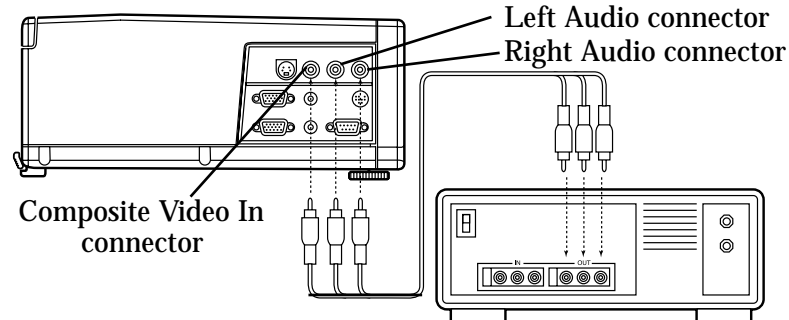


Figure 8: Connecting to Composite Video/Audio

To connect to S-video:

- 1 Connect the audio plugs on the audio/video cable to the left and right audio connectors on the projector and to the audio output connectors on the video player.
- 2 Connect the S-video plug to the S-Video connector on the projector and to the video output connector on the video player. Note that the composite video cable remains unused.

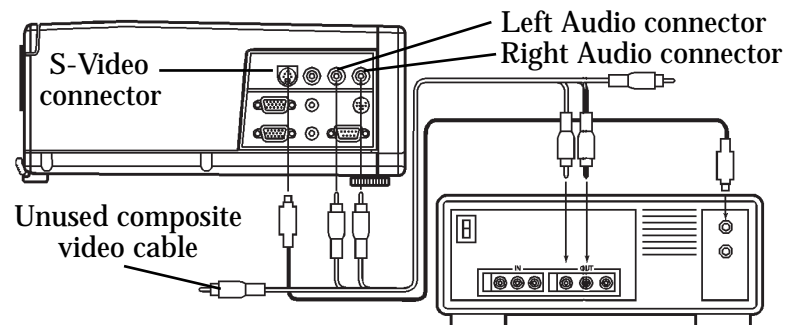


Figure 9: Connecting to S-Video Video/Audio

Connecting to the Remote Mouse

You can use the joystick on the projector's remote control to control your computer mouse. To use the joystick, connect the remote mouse.

Note: If the remote mouse does not work after you follow these instructions, see "Configuring the Remote Mouse" on page 28.

To connect to the remote mouse:

- 1 Turn off the computer.
- 2 Disconnect the mouse from the mouse connector on your computer.

- 3 Connect the remote mouse interface cable to the Mouse connector on the projector and to the mouse connector (serial, PS/2, ADB) on your computer.

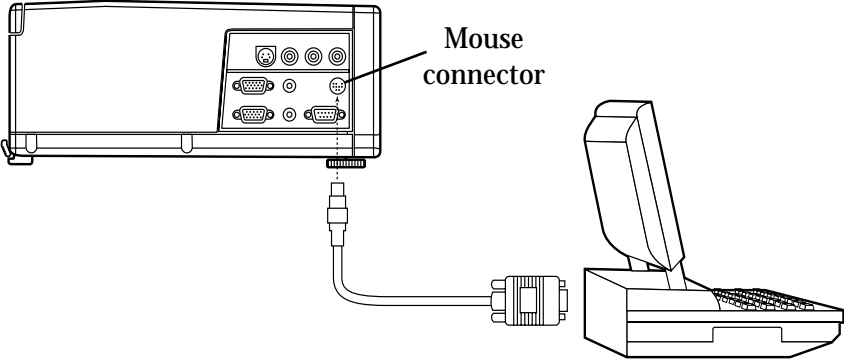


Figure 10: Connecting to the Remote Mouse

Operating the Projector

This section explains how to turn on the projector and adjust the projected image.

Turning On the Projector

Use the Power On/Standby button to turn on the projector.

To turn on the projector:

- 1 Check that the projector is connected to AC power and the projector is in the *sleep state* as described on page 14.
- 2 Press the Power On/Standby button on the projector keypad.

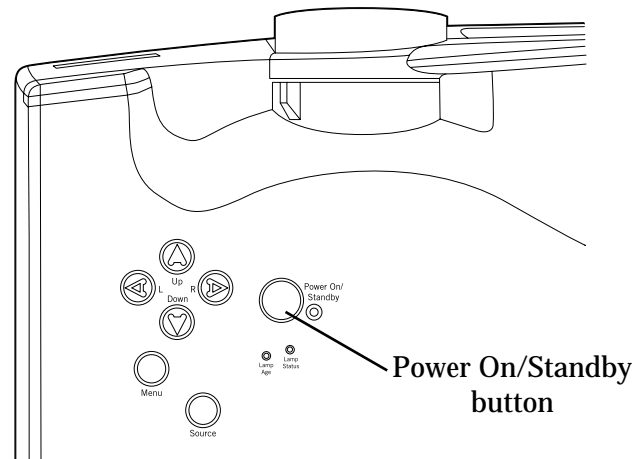


Figure 11: Power On/Standby Button

The projector enters the *live state* with the lamp on and the fan at high speed. The lamp takes approximately 30 seconds to reach full brightness.

The start-up sequence that the projector follows depends on the selections that you make in the projector system menus. For more information on how to modify these choices, see “Using the Menu” on page 18.

By default, the projector displays the startup logo for five seconds then selects the data input source. If no data input source is present, the projector selects a video player input source. If no video player input source is present, it displays the startup logo. If you did not select a startup logo in the Features menu, the projector displays a blank screen.

CAUTION: Ultra high pressure lamps need to be in a stable condition prior to turning them on or off. To protect the lamp and the projector, the power up and power down circuitry contain built-in protective delays. After you turn on the lamp, a timer prevents you from turning it off for at least 30 seconds. After you turn off the lamp, a timer prevents you from turning it on for at least 60 seconds. Do not attempt to bypass these delays.

For more information on the projector's operating states, see "Operating States" on page 14.

Tip: If the projector is connected to a laptop computer but is not projecting an image, make sure that you have activated the external video output port correctly. For more information, see "Activating the Laptop External Video Port" on page 32.

Focusing the Image

Use the Focus Ring to focus the projected image.

To focus the image:

- Rotate the Focus Ring until the image is clear.

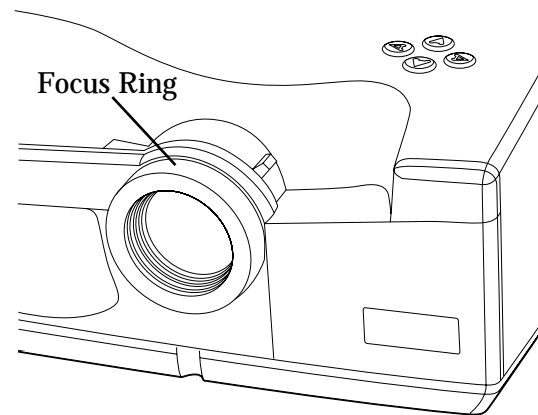


Figure 12: Focusing the Image

Adjusting the Image Size

Use the Zoom Ring Tab to adjust the size of the projected image.

To adjust the image size:

- Move the Zoom Ring Tab until the image is the desired size.

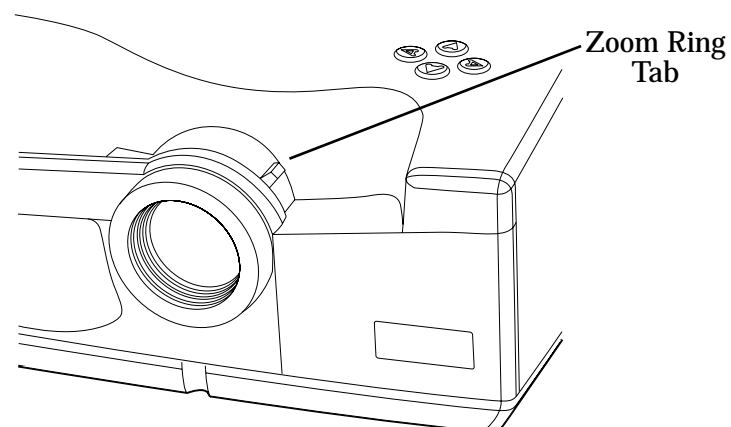


Figure 13: Adjusting the Image Size

Refer to the Distance to Screen vs. Image Size chart below to help you make the adjustment.

Distance to Screen vs. Image Size

Use the following chart and tables to determine the distance between the projector and the screen for a desired screen image size.

The top line in the graph indicates the image size with the lens at the maximum zoom position. The bottom line in the graph indicates the image size with the lens at the minimum zoom position.

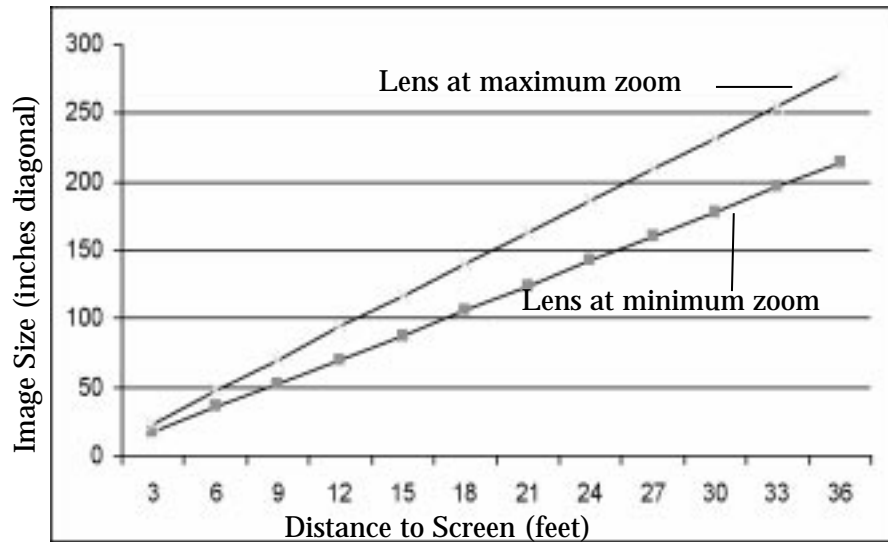


Figure 14: Distance to Screen vs. Image Size

The following table contains information about image size with the zoom lens at the minimum zoom position.

Distance to Screen (feet)	Diagonal (inches)	Height (inches)	Width (inches)
5	30	18	24
10	60	36	48
15	90	54	72
20	120	72	96
25	150	90	120
30	180	108	144
35	210	126	168
40	240	144	192

Table 1: Distance to Screen vs. Image Size, Lens at Minimum Zoom

The following table contains information about image size with the zoom lens at the maximum zoom position.

Distance to Screen (feet)	Diagonal (inches)	Height (inches)	Width (inches)
5	40	24	32
10	80	48	64
15	120	72	96
20	160	96	128
25	200	120	160
30	240	144	192
35	280	168	224
40	320	192	256

Table 2: Distance to Screen vs. Image Size, Lens at Maximum Zoom

Adjusting the Image Height

Use the quick-release Elevator Foot Release under the front of the projector to adjust the height of the projected image.

To adjust the image height:

- 1 Press the Elevator Foot Release and lift the front of the projector.
- 2 Release the Elevator Foot Release to lock the elevator foot in place.

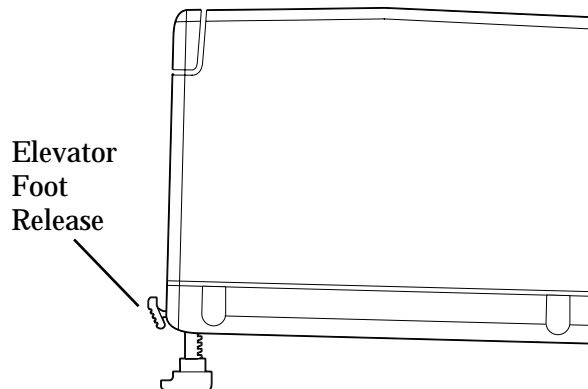


Figure 15: Adjusting the Image Height

Leveling the Image

Use the leveling feet, located on both rear corners of the projector, to level the projected image.

To level the image:

- Rotate one or both leveling feet until the projected image is level.

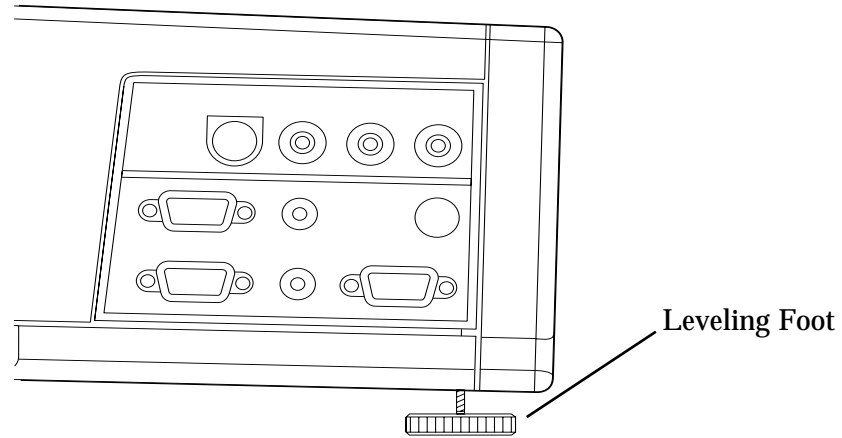


Figure 16: Leveling the Image

Operating States

The Polaview 330 LCD projector has five operating states:

- 1 *Sleep state* - The lamp, all fans, and keypad lighting are off. The Power On/Standby LED, Lamp Age LED, and Lamp Status LED are on.
- 2 *Live state* - The lamp and keypad lighting are on. The fans are on at high speed. The projector displays either the source video or the logo.
- 3 *Standby state* - If the lamp has been on for more than 30 seconds, pressing the Power On/Standby button causes the projector to enter the *standby state*. The lamp and keypad lighting are off. The fans are on at low speed.
- 4 *Startup pending state* - Turning on the lamp within 60 seconds after turning it off can damage the lamp or power supply. The *startup pending state* prevents this by preventing the lamp from being turned on for 60 seconds after turning it off. If you press the Power On/Standby button within 60 seconds after turning off the lamp, the projector turns on the keypad lighting and sets the fans to high speed. The Power On/Standby LED flashes. After 60 seconds, the projector turns on the lamp and enters the *live state*.
- 5 *Standby pending state* - Turning off the lamp before it has stabilized can cause damage to the lamp. The *standby pending state* prevents this by preventing the lamp from being turned off for 30 seconds after turning it on. If you press the Power On/Standby button within 30 seconds after turning on the lamp, the projector displays a “Will Shut Down In...” message and a 30-second countdown timer. The Power On/Standby LED flashes. After 30 seconds, the projector turns off the lamp and enters the *standby state*. After another five minutes of inactivity, the projector enters the *sleep state*.

The following table summarizes the projector operating states.

Operating State	Power On/Standby LED	Display	Lamp	Fans	Keypad Lighting
Sleep	On	Off	Off	Off	Off
Live	On	Source/Logo	On	High	On
Standby	On	Off	Off	Low	Off
Startup Pending	Flashing	Off	Off	High	On
Standby Pending	Flashing	Message	On	High	On

Table 3: Projector Operating States

Using the Remote Control

This section explains how to use the remote control.

The wireless remote control that comes with the Polaview 330 LCD projector is similar to a remote control for a television or VCR. Use the remote control to set up and adjust the image settings and to control interactive presentations.

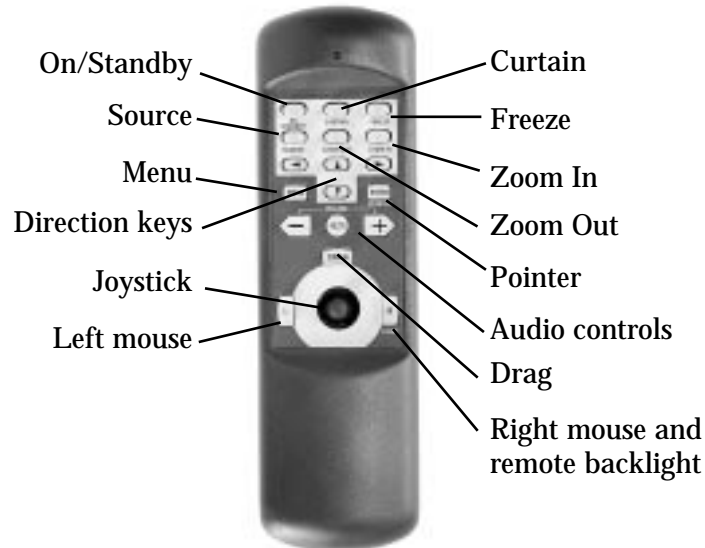


Figure 17: Remote Control

Use the projector control buttons on the remote control to control projector functions. Use the built-in joystick and the mouse buttons to remotely control the computer mouse.

For more information on how to configure the remote mouse, see “Configuring the Remote Mouse” on page 28.

Remote Control Functions

This section describes the projector functions that you can control from the remote control. Functions that are also available from the projector keypad are noted.

On/Standby

Press the On/Standby button on the remote control (Power On/Standby button on the projector keypad) to change the projector operating state.

If the projector is in the *sleep state*, press the On/Standby button to change the projector to the *live state*. If the projector is in the *live state*, and the lamp has been on for more than 30 seconds, press the On/Standby button to change the projector to the *standby state*. If the lamp has been on for less than 30 seconds, the projector changes to the *standby pending state* prior to changing to the *standby state*.

For more information on the projector’s operating states, see “Operating States” on page 14.

Source	Press the Source button on either the remote control or the projector keypad to toggle the input signal source between computer, composite video, and S-video. If there are no other active input signal sources connected, the projector displays an error message.
Menu	Press the Menu button on either the remote control or the projector keypad to display the on-screen main menu. Press the Menu button again to exit the menu.
Direction Keys	Use the direction keys on either the remote control or the projector keypad to control these functions: <ul style="list-style-type: none">• Menu navigation and selection• Projected image positioning• Zoomed or cropped image panning• Pointer movement• Slide control adjustment• Curtain operation
Joystick	Use the joystick on the remote control to move the cursor just as you use the mouse attached to your computer.
Left Mouse	Use the left mouse button on the remote control just as you use the left mouse button on the mouse attached to your computer.
Curtain	Press the Curtain button on the remote control to overlay a curtain on the projected image. Use the direction keys to move the curtain and reveal portions of the display.
Freeze	Press the Freeze button on the remote control to freeze the current projected image until you press the Freeze button again. Tip: You can use the Freeze button to hold an image on the projected screen while making changes to your presentation or checking notes on your computer screen. Once the adjustments are made, press the Freeze button again to return to your presentation.
Zoom In/Zoom Out	Press the Zoom In button on the remote control to zoom in on the center of the projected image (up to 8X magnification in 1X increments). Press the Zoom Out button to zoom out of the center of the projected image (in 1X increments). While in the zoom mode, use the direction keys to move the zoom window around the full screen.
Pointer	Press the Pointer button on the remote control to display a pointer in the center of the projected image. Use the direction keys to move the pointer.

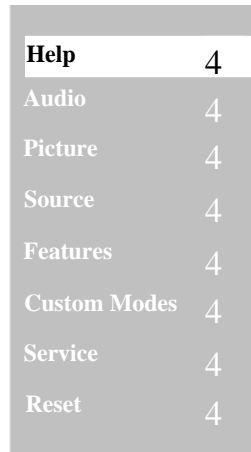
- Audio Controls Press the + button on the remote control to increase the audio volume. Press the - button to decrease the audio volume. Press the Mute button to mute the audio.
- Drag Use the Drag button in combination with the joystick to drag an item. You can also use this button to “Drag & Drop” items.
- Right Mouse and Remote Backlight Use the right mouse button on the remote control just as you use the right mouse button on the mouse attached to your computer.
- To activate the backlight for the remote control buttons, press and hold the right mouse button on the remote control for several seconds.

Using the Menu

Main Menu

This section introduces you to the main menu and explains how to use the projector menu system.

- 1 Press the Menu button on either the remote control or on the projector keypad to display the main menu. Each menu item has a submenu.



Help	4
Audio	4
Picture	4
Source	4
Features	4
Custom Modes	4
Service	4
Reset	4

Figure 18: Main Menu

- 2 Press the up and down direction keys to highlight a menu item. When a menu item is highlighted, the system displays a submenu containing a list of choices.
- 3 Press the right direction key to move the highlight to the submenu.
- 4 Press the up or down direction keys to highlight a choice.
- 5 Press the right direction key to display either a slide-rule control used to adjust the level/value of the choice or a second submenu containing a list of additional choices.
- 6 Press the up or down direction keys to adjust the level/value of the choice or to highlight a submenu choice.
- 7 If you highlight a submenu choice, press the up or down direction keys to adjust the level/value of the choice.
- 8 Press the Menu button, or the left direction key repeatedly, to confirm your selection and exit the menu system.

Use the Reset menu item to reset these submenu values to default values:

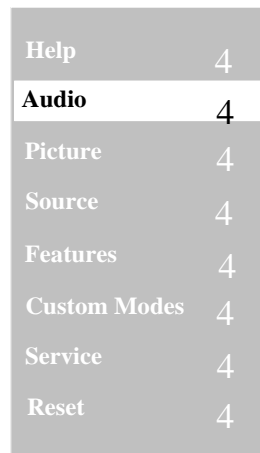
Submenu	Effect of Reset
Audio	Resets all values.
Picture	Resets all values.
Source	Resets to Computer.
Features	Resets Compression, Ceiling Mount, Rear Projection values. Does not reset Language, Startup Logo, or Curtain values.
Custom Modes	Clears all saved custom modes.

Table 4: Effect of Reset by Submenu

Use the Reset item on a submenu to reset values for all submenu items.

Audio Menu

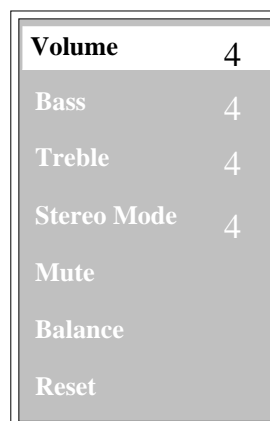
Use the Audio menu to control presentation sound characteristics.



Help	4
Audio	4
Picture	4
Source	4
Features	4
Custom Modes	4
Service	4
Reset	4

Figure 19: Audio Menu

- Once you have highlighted the Audio menu item, press the right direction key to display the Audio submenu.



Volume	4
Bass	4
Treble	4
Stereo Mode	4
Mute	
Balance	
Reset	

Figure 20: Audio Submenu

- Volume Use Volume to increase or decrease the volume level.
- Bass Use Bass to increase or decrease the bass level.
- Treble Use Treble to increase or decrease the treble level.
- Stereo Mode Use Stereo Mode to select mono or stereo audio effects.
- The choices are:
- Mono: Mixes contents of right and left channels
 - Linear Stereo: Normal stereo sound without any extra processing
 - Pseudo Stereo: Creates “like stereo” effect from mono source
 - Spatial Stereo: Simulates “3D space” sound from stereo source
- Mute Use Mute to turn off the sound.
- Balance Use Balance to adjust the balance of the sound between stereo speakers.
- Reset Use Reset to reset all values on the Audio menu to default values.
- Picture Menu Use the Picture menu to control the appearance of the projected image.

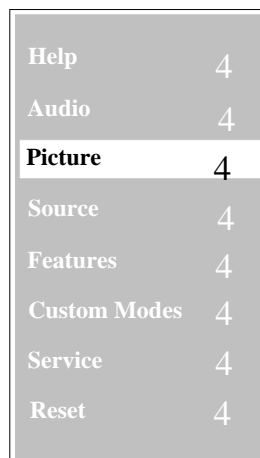


Figure 21: Picture Menu

- Once you have highlighted the Picture menu item, press the right direction key to display the Picture submenu.

Frequency	4
Tracking	4
Contrast	4
Brightness	4
Sharpness	4
Room Light	4
Color	4
Tint	4
Reset	4

Figure 22: Picture Submenu

Frequency The Polaview 330 LCD projector automatically adjusts the frequency based on detected input signals. However, in some cases you may need to manually adjust the frequency.

Use Frequency to eliminate evenly spaced dark vertical lines or distortions on the projected image. Adjust the frequency until the vertical lines or distortions disappear.

If you have adjusted the frequency but there are still vertical lines or distortions on the projected image, follow the Tracking instructions to adjust tracking.

Tip: If your computer is running Windows 95, the Shut Down screen is the best place to adjust frequency. To display the Shut Down screen, click on the Start button in the lower left-hand corner of the screen. Click on Shut Down. Adjust the frequency, then click on No to return to the display screen.

Tracking The Polaview 330 LCD projector automatically adjusts the tracking based on the detected input signals. However, in some cases you may need to manually adjust the tracking.

Use Tracking to remove distortions or shaded areas that remain on the screen after adjusting the frequency. Do not adjust tracking until you have finished adjusting the frequency. You may need to adjust the frequency and tracking values a few times to completely eliminate vertical lines, distortions, and shaded areas. Adjust the tracking until all distortions and/or shaded areas disappear.

Contrast Use Contrast to increase or decrease the contrast level.

- Brightness Use **Brightness** to increase or decrease the brightness level.
- Sharpness Use **Sharpness** to increase or decrease the sharpness.
- Room Light Use **Room Light** to compensate for differences in room lighting conditions. The three **Room Light** values provide the best levels of brightness, contrast, and color saturation for different lighting conditions.

The choices are:

- **Dark Room**
- **Normal**
- **Bright Room**

- Color Use **Color** to adjust the color intensity.
- Tint Use **Tint** to adjust the red/green tint level.
- Reset Use **Reset** to return all values on the **Picture** menu to default settings.

Source Menu Use the **Source** menu to select the input signal source. The choices include the computer, composite video, or S-video input signals.

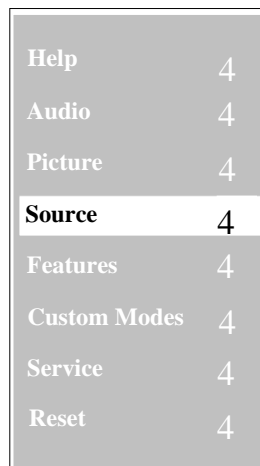


Figure 23: Source Menu

- Once you have highlighted the **Source** menu item, press the right direction key to display the **Source** submenu.

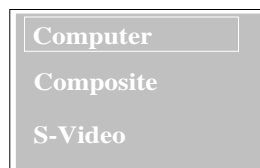


Figure 24: Source Submenu

- Computer Use Computer to select the computer as the signal source.
- Composite Use Composite to select composite video as the signal source.
- S-Video Use S-Video to select s-video as the signal source.

Note: If the system does not detect a computer or video source, it displays a message that indicates that the TV/VCR or computer source was not detected.

- Features Menu Use the Features menu to select top-level usage preferences for the projector.

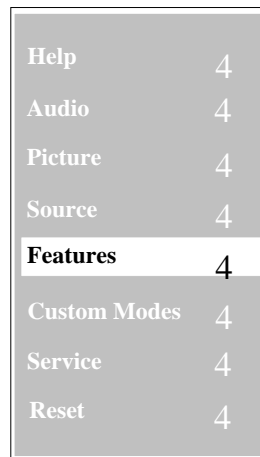


Figure 25: Features Menu

- Once you have highlighted the Features menu item, press the right direction key to display the Features submenu.

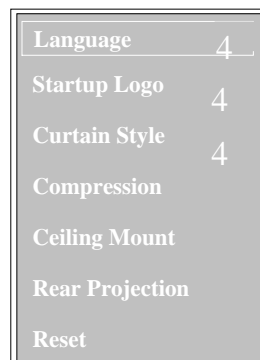


Figure 26: Features Submenu

- Language Use Language to display on-screen menus in English, French, German, Spanish, Italian, or Chinese.

- Startup Logo Use Startup Logo to select the logo displayed during projector startup.
- The choices are:
- Default Logo
 - Custom Logo
 - Blank
- For more information on how to install a custom logo in projector memory, see “Installing a Custom Startup Logo” on page 28.
- Curtain Style Use Curtain Style to select curtain appearance.
- The choices are:
- Red
 - Green
 - Blue
 - Yellow
 - Cyan
 - Magenta
 - Black
 - White
 - Default Logo
 - Custom Logo
- Compression Use Compression to enable or disable image compression for SXGA image resolution and above. Enabling compression compresses the SXGA image to fit the XGA screen. Disabling compression displays a 1024x768 window on the SXGA screen.
- Ceiling Mount Use Ceiling Mount to vertically reverse the projected image to allow for an upside down ceiling mount of the projector.
- Rear Projection Use Rear Projection to horizontally reverse the projected image to allow for rear projection.
- Reset Use Reset to return all values on the Features menu to default settings.

Custom Modes Menu

Use the Custom Modes menu to save the current projector settings as one of four custom modes or to activate a previously saved custom mode.

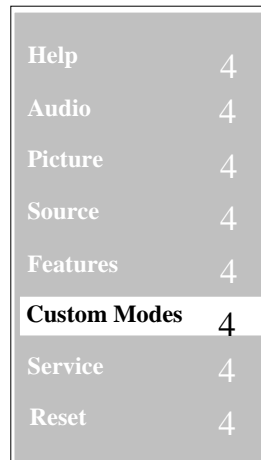


Figure 27: Custom Modes Menu

- Once you have highlighted the Custom Modes menu item, press the right direction key to display the Custom Modes submenu.

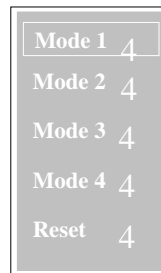


Figure 28: Custom Modes Submenu

Saving the current projector settings as a custom mode saves these parameters:

- Frequency
- Tracking
- Vertical position
- Horizontal position
- Contrast
- Brightness
- Room light
- Zoom setting
- Tint
- Color
- Sharpness

- Mode 1 Use Mode 1 to save the current projector settings as a custom mode or to activate the previously saved Mode 1 settings.
- Mode 2 Use Mode 2 to save the current projector settings as a custom mode or to activate the previously saved Mode 2 settings.
- Mode 3 Use Mode 3 to save the current projector settings as a custom mode or to activate the previously saved Mode 3 settings.
- Mode 4 Use Mode 4 to save the current projector settings as a custom mode or to activate the previously saved Mode 4 settings.
- Reset Use Reset to return all values on the Custom Modes menu to default settings.

To save a custom mode from the Custom Modes submenu:

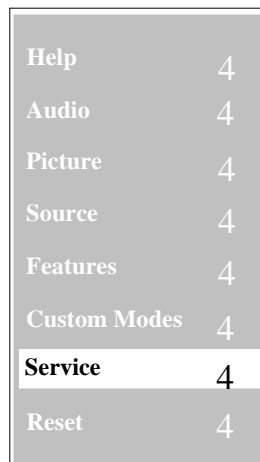
- 1 Use the up or down direction keys to highlight the mode number under which you want to save the current projector settings.
- 2 Highlight the Set to Current item.
- 3 Press the left direction key to exit the menu and save the custom mode.

To activate a custom mode from the Custom Modes submenu:

- 1 Use the up or down direction keys to highlight the mode number that you want to activate.
- 2 Highlight the Active item.
- 3 Press the left direction key to exit the menu and activate the custom mode.

Service Menu

Use the Service menu to display information on the lamp life and/or projector life, to reset the lamp life timer, or to display test patterns.



Help	4
Audio	4
Picture	4
Source	4
Features	4
Custom Modes	4
Service	4
Reset	4

Figure 29: Service Menu

- Once you have highlighted the Service menu item, press the right direction key to display the Service submenu.

Lamp Life	4
Reset Lamp Timer	4
Projector Life	4
Test Pattern	4

Figure 30: Service Submenu

Lamp Life	Use Lamp Life to display the number of hours left in the life of the lamp.
Reset Lamp Timer	Use Reset Lamp Timer to reset the lamp life timer after you install a new lamp.
Projector Life	Use Projector Life to display information about total projector usage.
Test Pattern	Use Test Pattern to display patterns you can use to evaluate the condition of the projector. The Color Cycle option displays the patterns in sequence.

The choices are:

- Pattern 1
- Pattern 2
- Pattern 3
- Solid Red
- Solid Green
- Solid Blue
- Solid White
- Solid Black
- Ramp Red
- Ramp Green
- Ramp Blue
- Ramp Grey
- Color Cycle
- Off

Advanced Configuration

This section gives you more detailed information about various projector setup, peripheral connection, and projector usage issues.

Installing a Custom Startup Logo

You can create a custom startup logo, save it as a standard 16-color Windows bitmap (BMP) file, and install it in projector memory. You use the Startup Logo item on the Features menu to replace the default logo displayed during projector startup with the custom logo. Use the LOADLOGO.EXE program, on the Polaview 330 Tools diskette included with the projector, to download a custom logo to the projector.

To install a custom startup logo:

- 1 Connect an RS232 cable to the projector's RS232 connector and to the computer serial port.
- 2 Start the LOADLOGO.EXE program.
- 3 Select a communications port from the on-screen menu.
- 4 Click on the Download menu on the menu bar.
- 5 Click on Custom Logo.
- 6 Select the directory in which the custom logo is stored, and click on Open.

The LOADLOGO.EXE program installs the custom startup logo in projector memory.

If you need LOADLOGO.EXE, visit Polaroid's web site (www.polaroid.com/service/sfwdownload/index.html).

Configuring the Remote Mouse

Windows 95 comes with standard serial or PS/2 mouse drivers that may not be compatible with the projector's remote mouse. These drivers are most likely to be compatible with the Polaview 330 LCD projector:

- Microsoft serial mouse
- Microsoft PS/2 port mouse
- Logitech serial mouse
- Logitech PS/2 port mouse.

To change to a Microsoft or Logitech mouse driver:

Note: The Windows and menu choices that different manufacturers use sometimes vary greatly in appearance. The procedure below may not apply to all situations.

- 1 Click on the Start button in the lower left-hand corner of the Windows 95 screen. Highlight Settings, and select Control Panel.
- 2 Double-click on the Mouse icon.

- 3 In the Mouse Properties window, click on the General tab. Windows indicates the driver that is currently in use.
- 4 Click on the Change button.
- 5 Click on the Show All Devices radio button.
- 6 Under Manufacturers, select either Microsoft or Logitech.
- 7 Under Models, select either Microsoft Serial Mouse or Microsoft PS/2 Port Mouse or the Logitech Serial Mouse or Logitech PS/2 Port Mouse.
- 8 Click on OK, then click on Close.

- Windows 3.x
- 1 Open the Program Manager Main group.
 - 2 Run the Windows Setup program.
 - 3 Pull down the Options menu and select Change System Settings.
 - 4 In the Mouse dialogue box, click the down direction key and select the appropriate driver as described above.

If the remote mouse still does not work correctly, use the IPSETUP.EXE program, on the included Polaview 330 Tools diskette, to install the IPOINT.EXE driver. Then, load the driver from the command line or from the Windows 95 Start Menu. If you need IPSETUP.EXE, visit Polaroid's web site (www.polaroid.com/service/sfwdownload/index.html).

Note: The driver supplied by IPOINT.EXE is only present when the program is running. If you close the program, it no longer sends a driver to the serial port. It does not load automatically when you boot the system. You can load it automatically by installing it in the Windows 95 Start Menu and selecting "Run Minimized" in the I-Point properties shortcut menu.

Warning: Do not use IPOINT.EXE program to reconfigure the mouse. There is no reset to bring the remote back to the original configuration.

Using the Internal
Pointer and
Remote Mouse
Simultaneously

Laptop computers with an internal pointing device will usually work with both internal and external mouse control.

To use the internal pointer and remote mouse simultaneously:

- 1 Set up the internal pointing device to use a PS/2 driver and load IPOINT.EXE to send a mouse driver to the serial port.
- 2 Use the procedure above for changing mouse drivers and select a PS/2 driver for the internal pointing device. Then connect the projector's remote mouse interface cable to the computer's serial port.
- 3 Reboot the computer for the changes to take effect. Then install IPOINT.EXE, as described above, to use both the internal pointing device and the external mouse.

Some computers require you to make changes in the BIOS to allow use of an external mouse or simultaneous use of both an internal and external mouse. If the internal pointing device and the external mouse do not work after following the steps above, see your computer's manual to determine how to make these changes in the BIOS.

Possible Problem
Using the Remote
Mouse

A problem can occur while using Microsoft PowerPoint®. Each click of the left remote mouse button may show two slides.

To correct this problem:

- 1 In Windows 95 or Windows 3.x, choose the Mouse icon from the Control Panel window. Windows displays a dialog box with a scroll arrow that determines the double-click speed.
- 2 Move the scroll arrow to the left to slow down the double-click speed.

If this does not correct the problem, it may be due to fluorescent lighting. In this case, shade the infrared receiver on the projector or turn down the lights in the room.

Macintosh Issues

Most Macintosh computers require an adapter to connect the video output of the computer to the Polaview 330 LCD projector. Enhance Cable's Liberty Lite adapter is included. This table shows Liberty Lite switch settings used to adapt to various display resolutions.

Display Mode Selection Guide									
	1	2	3	4	5	6	7	8	9
VGA/SVGA Multi			•	•				•	•
640x480	•	•						•	•
832x624		•		•				•	•
1024x768 @ 75Hz		•	•					•	•
1152x870	•	•	•	•				•	•
Multisync-832	•	•			•	•		•	•
Multisync-1024	•	•			•			•	•
Multisync-1280	•	•				•		•	•
•: On #7: Composite Sync #8: Horizontal Sync #9: Vert Sync									

Table 5: Liberty Lite Switch Settings

For computers such as the Macintosh 7500 or 8500 that use composite sync for the external monitor, set switch 7 to On and switches 8 and 9 to Off.

Macintosh computers use several methods to connect to an external monitor or projector. The following paragraphs describe the different models and methods used as of this printing.

Macintosh
PowerBook Series
140, 145, 145B,
150, 170

These do not include video out support. Contact a third-party supplier for an interface adapter for these computers.

The following companies supply the necessary adapters:

- Power-R Corporation 1-800-729-6970
- Griffin Technologies 1-800-255-0990
- Enhance Cable Technologies 1-800-343-2425
- Novaid Tower Company 1-800-255-0990

Macintosh
PowerBook Series
200, 230, 250,
280, 2300

These systems must be connected to a docking station. The docking station has the external video out port that allows connection to the projector.

Macintosh
PowerBook 5300

The PowerBook 5300 uses a Processor Direct Slop (PDS) to implement external video. This card provides an external connection for video at the back of the computer. It provides resolutions up to 832x624 at 256 colors.

All 5300 series PowerBooks require a video adapter cable to connect to an external display. The part number is M3927LL/A*. For more information, call your local Macintosh dealer.

The 5300ce provides SVGA (800x600) at thousands of colors for the internal display only. The external display is limited to 256 colors unless a third-party video card has been installed.

Macintosh
PowerBook Series
160, 165, 180,
185, 500, 520, 540

These systems use Macintosh Video Mirroring to send an image to an external monitor or projector.

To set up these systems:

- 1 Connect the Macintosh video cable supplied with your PowerBook to its external video out port.
- 2 Connect the switchable Macintosh adapter to the PowerBook video cable.
- 3 Connect the VGA cable to the Macintosh Adapter.
- 4 Connect the other end of the VGA cable to the projector.
- 5 Turn on the projector.
- 6 Turn on the Macintosh PowerBook.
- 7 From the Macintosh PowerBook desktop Apple symbol, choose Control Panel.

- 8 Choose Monitors in the Control Panel. Within the Monitors Setup screen you will see two center squares. They represent the internal display and the external monitor or projector. Each square has a number. The number 1 represents the primary display and the number 2 represents the secondary display.
- 9 The primary display square (1) contains a small menu bar. Drag this square to the secondary display square (2). You may also need to drag the Happy Macintosh icon onto the desired monitor. To see the Happy Macintosh icon, hold down the Option key while the Monitor's Control Panel is open. This change will switch the primary display (1), to the secondary display (2), activating the external video port and sending video to the projector.

Note: You may need to restart the Macintosh PowerBook for the changes to take effect.

Macintosh
PowerBook 1400

The PowerBook 1400 uses the "Monitors and Sound" Control Panel. When the Macintosh PowerBook computer recognizes a second monitor or projector, the "Monitors and Sound" Control Panel contains an Arrange button.

To use the Mirroring feature:

- 1 Click on Arrange. A window below it shows an icon representing each monitor.
- 2 Drag one icon on top of the other.

Macintosh
PowerBook 3400
and G3

The PowerBook 3400 and G3 have a standard DB9/15 VGA connector built into the backplane for an external video monitor or projector. It is capable of resolutions up to 1024x768. There is no Video Mirroring Control Panel. The mode of display called Simulscan can only display 800x600 at 60Hz (refresh rate) simultaneously. If the external monitor has any other resolution or refresh rate, the external monitor will be the only display available.

Activating the
Laptop External
Video Port

Most laptop computers have a method for activating the VGA external video port.

To activate the VGA port on IBM-compatible laptop personal computers, use the function (Fn) key on the computer's keyboard with one of the regular function keys (for example, hold down the Fn key while pressing F12). Some laptop computers need to be rebooted to allow the computer to check for an attached external monitor, and then activate the external port.

The following table describes, by computer manufacturer, how to activate the external video port. Some manufacturers have several models that require different activation methods; those methods are listed.

On some laptop computers, you need to use a separate setup menu to activate the external video port.

Computer Manufacturer	Port Activation Keys
Acer	Ctrl-Alt-Esc (for Setup menu) Fn-F5
AST	Fn-F5 Fn-D Fn-F1 Fn-F12 Ctrl-Fn-D Ctrl-D
AT&T	Fn-F6
Austin	Ctrl-Alt-Shift
Altima	Shift-Ctrl-Alt-C
Ambra	Ctrl-Alt-Esc (for Setup menu)
Amrel	Shift-Ctrl-D (for Setup menu)
AMS	Fn-F2
AMT	Setup Screen Display Mode select CRT
Award	Fn-F6
BCC	Automatic when computer is booted
Bondwell	LCD/CRT options after computer is booted
Canon	Fn-F6 Fn-F7 Setup menu Select CRT in CMOS
Chaplet	Setup menu
Chembook	Fn-F6
Commax	Ctrl-Alt-#6
Compaq	Fn-F4 Ctrl-Alt-<
CompuAdd	Fn-F3 (for Setup menu) Alt-F (for Setup menu)
Compudyne	Ctrl-Shift D Setup Screen Fn-F8
Data General	Ctrl-Alt-Command
Datavue	Ctrl-Shift-M

Computer Manufacturer	Port Activation Keys
DEC	Fn-F5 Fn-F4
Dell	Ctrl-Alt-F10 Ctrl-Alt-< Fn-F12 Fn-F8 Fn-D
Dolch	Set DIP switch to CRT before the computer is booted
Epson	Set DIP switch to CRT when the computer is booted Automatic Setup Icon Fn-F10
Everex	Setup Screen
For-A	Ctrl-Alt-Shift-C
Fujitsu	Fn-F10
Gateway	Fn-F1 Fn-F5 Fn-F3
Grid	Fn-F2 (for Setup menu) Automatic Ctrl-Alt-Tab
Hitachi	Fn-F12 Fn-F7
Honeywell	Fn-F10
Hyundai	Setup screen
Hewlett-Packard	Automatic when computer is booted Fn-F5
IBM	Fn-F7 Fn-F1 (for Setup menu) Ctrl-Alt-S Automatic when computer is booted
Infotel	Fn-F12
Jetbook	Fn-F6
Kaypro	Automatic when computer is booted
Kris Tech	Fn-F8
Keynote	Fn-F7

Computer Manufacturer	Port Activation Keys
Leading Edge	Fn-T
Macintosh	See "Macintosh Issues" on page 30.
Magitronic	Fn-F4
Mastersport	Fn-F2
Micro Express	Automatic when computer is booted
Micron	Fn-F2
Microslate	Automatic when computer is booted
Midwest Micro	Fn-F11
Mitsubishi	SW2 on-off-off-off
NCR	Setup screen
NEC	Setup screen Fn-F2 Fn-F3 Fn-F10
Olivetti	Automatic when computer is booted FN-O
Packard Bell	Fn-F0 Ctrl-Alt-<
Panasonic	Fn-F2
ProStar	Ctrl-Alt-S (when computer is booted) Fn-F6
Sager	Fn-F6 Fn-F9
Samsung	Fn-F4 Fn-F6 Setup screen with DIP switch #10 on
Sanyo	Setup screen
Sharp	Automatic when computer is booted Fn-F5 DIP switch to CRT
Sun Sparc	Ctrl-Shift-M
Tandy	Ctrl-Alt-Insert Setup screen
Tangent	Fn-F5

Computer Manufacturer	Port Activation Keys
Texas Instruments	Setup (on keyboard) Ctrl-Alt-Setup Ctrl-Alt-Esc Control Panel-TIsetup-Sys config- display device, LCD/CRT Fn-F10 Fn-F12
Top Link	Setup screen Fn-F6
Toshiba	Fn-F5 Fn-F6 Ctrl-Alt-End Fn-End Tsetup Utility Automatic when computer is booted
Twinhead	Fn-F5 Fn-F7 Automatic when computer is booted
Winbook	Ctrl-Alt-F10 Fn-F10 Fn-F6 Fn-F12
Wyse	Software driver
Zenith	Fn-F10 Fn-F2 Fn-F1 Fn-F7
Zeos	Ctrl-Shift-D Fn-F1

Table 6: External Video Port Activation Keys

Maintaining the Projector

This section explains how to replace the lamp module and clean the projector dust filters.

Replacing the Lamp Module

To replace the lamp module:

- 1 Press the catch on the lamp door to release the lamp door.
- 2 Lift out the lamp door.
- 3 Grasp the wire bale and remove the lamp module.

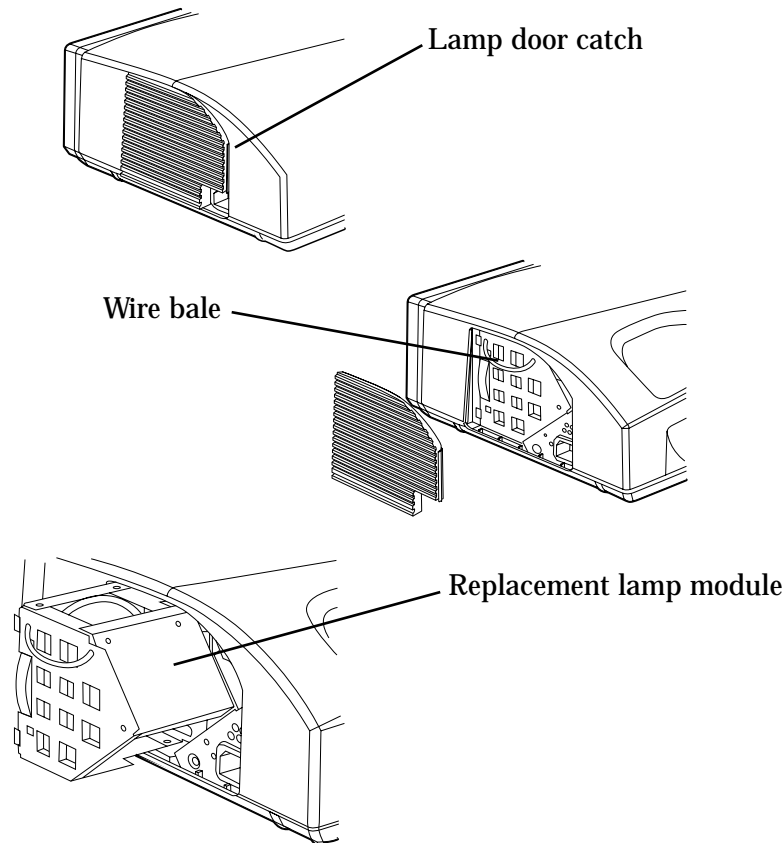


Figure 31: Replacing the Lamp Module

- 4 Insert the replacement lamp module.
- 5 Replace the lamp door.
- 6 Turn on the projector.
- 7 Use the Reset Lamp Timer option in the Service menu to reset the lamp life counter.

Cleaning the Dust Filters

The Polaview 330 LCD projector has two dust filters to protect the optical components and electronics. The best procedure for cleaning the filters is to use a vacuum cleaner from the outside of the filter covers. If the filters need a more thorough cleaning or replacement, follow these procedures.

Back Filter To clean the back filter:

- 1 Remove the three retaining screws located on the back of the projector.

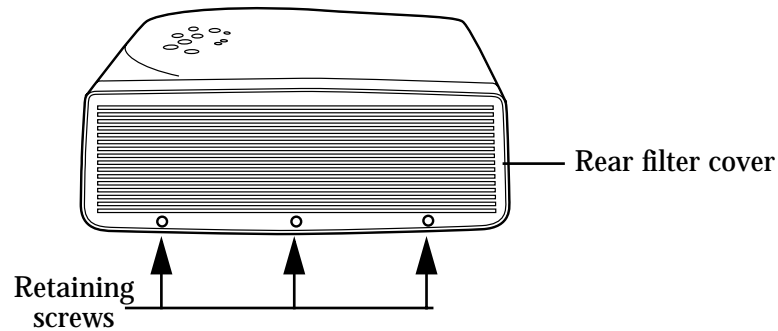


Figure 32: Replacing the Back Filter

- 2 Lift and remove the rear filter cover.
- 3 Remove the foam filter from the filter cover.
- 4 Clean the foam filter with soap and water, rinse, and dry thoroughly.
- 5 Replace the filter in the filter cover and reinstall it in the projector.

Bottom Filter To clean the bottom filter:

- 1 Remove the four retaining screws located on the bottom of the projector.

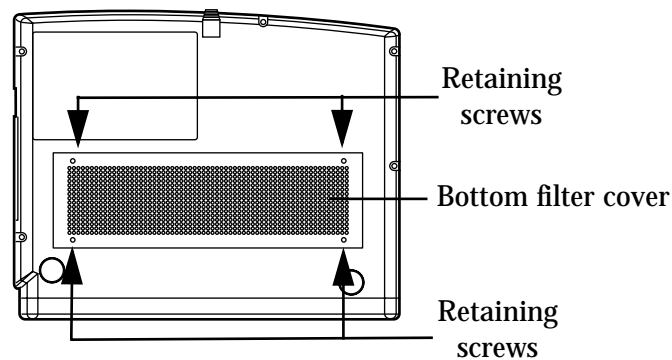


Figure 33: Replacing the Bottom Filter

- 2 Remove the bottom filter cover.
- 3 Use a vacuum cleaner to remove dust from the exposed filter.
- 4 Replace the bottom filter cover.

Troubleshooting

This section outlines problems you might encounter while using the projector and tells you how to solve them.

Warning: Except to replace the lamp or dust filter, do not attempt to open the projector cabinet to service it yourself. Doing so will subject you to dangerous voltages and other hazards.

If you need technical help with the projector:

- 1 Check the table below to see if you can solve the problem.
- 2 Call your dealer's technical support line and explain your problem.
- 3 Call Polaroid Corporation. Refer to the listing of Polaroid offices and service centers on page 41.

Problem	Solution
<p>When using a laptop, only the logo or blank screen is projected.</p>	<ul style="list-style-type: none"> • Check that you have activated the video output port on the laptop computer. The logo will only appear if there is no signal present on the computer or video input. See "Activating the Laptop External Video Port" on page 32. • Activate the external port on Macintosh computers by opening the Macintosh Control Panel and selecting Video Mirroring. See "Macintosh PowerBook Series 160, 165, 180, 185, 500, 520, 540" on page 31.
<p>The projected image has vertical lines or vertical shaded areas in the background.</p>	<p>The frequency of the projector does not match the frequency of the computer.</p> <ol style="list-style-type: none"> 1 Press the Menu button on the remote control or on the projector keypad. 2 Select Picture from the menu. 3 Select Frequency from the menu. 4 Use the up and down direction keys on the remote control or on the projector keypad to adjust the frequency until the vertical lines and/or shaded areas disappear. <p>Tip: On a PC that is running Windows 95, use the Shut Down screen to adjust the frequency. To display this screen, click on the Start button in the lower left-hand corner of the screen. Click on Shut Down. When you finish the Frequency adjustment, click on No to return to the display screen.</p>

Problem	Solution
<p>When viewing text on the projected image, some of the characters seem darker or thicker than others.</p>	<p>The frequency of the projector does not match the frequency of the computer.</p> <ol style="list-style-type: none"> 1 Press the Menu button on the remote control or the keypad on the projector. 2 Select Picture from the menu. 3 Select Frequency from the menu. 4 Use the left and right direction keys on the remote control or on the projector keypad to adjust the frequency up or down until all of the text characters are the same.
<p>The image is noisy in video mode.</p>	<p>Use a continuity tester to check for poor or open ground on the video cable.</p>
<p>The image lacks red, blue, or green color.</p>	<p>Check the contrast adjustment. Also, check the VGA cable for broken or bent pins.</p>
<p>The bottom of the projected image is straight but the top is crooked.</p>	<p>Align the projector so that it directly faces the screen. See “Leveling the Image” on page 13.</p>
<p>The remote control does not work correctly.</p>	<p>Check that the IR (infrared) window on the front of the projector is not blocked. Check that the red power LED is energized when any button is pushed. If not, check the batteries in the remote control.</p>
<p>The projected image is rolling vertically or horizontally.</p>	<p>Check for broken or bent pins on the VGA cable. The problem may also be related to the computer refresh rate. The projector is able to synchronize with a refresh rate between 55.378 and 85Hz. Any refresh rate outside these limits will cause problems with the projected image. Check the refresh rate of the computer and adjust it if necessary.</p>

Table 7: Troubleshooting Procedures

Polaroid Offices
and Service
Centers

Country	Address
Australia	Polaroid Australia Pty. Ltd. 13-15 Lyonpark Road P.O. Box 163 North Ryde, N.S.W. 2113 Tel.: (02) 9 950 7000 Fax: (02) 887 2209
Belgique/België	Polaroid (Belgium) N.V.-S.A. Rue Colonel Bourg 111 Kolonel Bourgstraat 111 1140 Bruxelles-1140 Brussel Tel.: 32 2 702 86 20 Fax: 32 2 726 92 99 Toll free: 32 78 155 905
Brasil	Polaroid do Brasil Ltda. Av. Paulista, 1776-11º andar Cerqueira Cesar São Paulo-Capital 01310-921 Tel.: 55.11.285.6411 Fax: 55.11.283.2625 288.6521 287.5393
Canada	Polaroid Canada Inc. 350 Carlingview Drive Etobicoke, Ontario M9W 5G6 Toll free: 1-800-268-6970
Danmark	Polaroid a.s. Blokken 75 3460 Birkerød Tlf.: 42 81 75 00 Fax: 42 81 70 26
Deutschland	Polaroid GMBH Spremlinger Landstrasse 109 63069 Offenbach Tel.: (49-69) 840 4100 Fax: (49-69) 840 4 204
España	Polaroid (España), S.A Calle Orense, 16 2a planta 28020 Madrid Tno: 34-1-597.02.52 Fax: 34-1-597.27.82

Country	Address
France	Polaroid (France) S.A. 12 Bis Ave. Gay Lussac La Clef de Saint-Pierre, B.P. 7 78996 Elancourt Cédex Tel.: (33-1) 30 68 38 38 Fax: (33-1) 30 68 38 39
Hong Kong	Polaroid (Far East) Ltd. 32/F Windsor House 311 Gloucester Road Causeway Bay Tel.: (852) 2894 0333 Fax: (852) 2895 1382
Italia	Polaroid (Italia) S.p.A. Via Piave 11 21051 Arcisate (Varese) Tel.: (39-332) 470031 Fax: (39-332) 478249
Japan	Nippon Polaroid Kabushiki Kaisha Mori Building No. 30 Toranomom 3-2-2 Minato-ku Tokyo 105 Tel.: (81-3) 3438 8811 Fax: (81-3) 3433 3537
México	Polaroid de México S.A. de C.V. Paseo de la Reforma 195 Piso 17 C.P. 06500 México, D.F. Tel.: (52-5) 703-1111 Fax: (52-5) 566-0505 Del interior al 91 (800) 70-727 Ventas 91 (800) 70-747
Nederland	Polaroid Nederland B.V. Zonnebaan 45 3606 CH Maarssen PO Box 1219 3600 BE Maarssen Tel.: (31-30) 241 0420 Fax: (31-30) 241 1969 Reparaties: Polaroid (Europe) B.V. Hoge Bothofstraat 45 7511 ZA Enschede Tel.: (31-53) 486 5050 Tel.: (32-53) 486 9905

Country	Address
New Zealand	Polaroid New Zealand Ltd. 24-26 Anzac Avenue Auckland Tel.: (64-9) 377 3773
Norge	Polaroid (Norge) A/S Industriveien 8B, 1473 Skårer, Norway Tlf: (47-67) 90 47 10 Fax: (47-67) 90 51 73
Österreich	Polaroid Ges.m.b.H. Eitnergasse 5A 1231 Wien, Austria Tel.: (43-1) 869 86 27 Fax: (43-1) 869 81 00
Portugal	Polaroid (España) S.A. Sucursal em Portugal Edificio Monumental Avenida Praia da Vitória, 71-A 4º B 1050 Lisboa Tel.: (351-1) 316.10. 49 Fax: (351-1) 316.10. 56
Puerto Rico	Polaroid Caribbean Corporation Centro de Seguros Ave. Ponce de León 701 Miramar, Santurce 00907 Tel.: (1-809) 725-6240 Fax: (1-809) 725-5462
Schweiz/Suisse/ Svizzera	Polaroid AG Hardturmstrasse 133 8037 Zürich, Switzerland Tel.: (41-1) 277.72.72 Fax: (41-1) 271.38.84
Suomi	Polaroid Oy Sinikalliontie 10 02630 Espoo Tel.: (358-0) 502 35 33 Fax: (358-0) 502 35 50
Sverige	Polaroid AB Ekholmsvägen 34 Box 204 127 24 Skärholmen Tel.: (46-8) 710 08 50 Fax: (46-8) 740 73 68

Country	Address
U.K.	Polaroid (U.K.) Ltd. & Polaroid Export Operations Wheathampstead House Codicote Road Wheathampstead Hertfordshire AL4 8SF U.K. Tel: (44) 1582 63 2000 Freefone: (800) 010119
U.S.A.	Polaroid Corporation Technical Assistance Tel.: Toll free 1-800-432-5355 Call for the nearest Polaroid location

Table 8: Polaroid Offices and Service Centers

Appendix A - Parts and Accessories

Parts

Part	Part Number
Rear air filter	39-0001-1A0
Bottom air filter	39-0003-1A0
Soft nylon carrying case	91-0003
Projector/computer mouse remote control	91-0001-000
PS2 remote mouse adaptor	91-0006
ADB mouse adaptor	91-0005
Macintosh monitor adaptor	91-0004
AC power cord - North America	22-0005-000
AC power cord - Europe	22-0012-000
AC power cord - UK	22-0015-000
Remote mouse computer/projector interface cable	22-0010
3.5mm composite video/stereo audio cable	22-0009
RCA cable	22-0008
S-video signal cable	22-0007
VGA video signal cable	22-0006
15-pin HD gender changer	91-0007-000
Polaview 330 Tools diskette	92-0003-000
Polaroid Polaview 330 LCD Projector User's Guide	PW-20287M-0
Quick Reference card	PW-20287Q-0
Registration card	PW-20287R-0

Table 9: Parts List

Accessories

Accessory	Part Number
PV330 ATA case with wheels	627193
PV330 Interlink RemotePoint Cordless Mouse	627194
PV330 Spare lamp assembly	627237

Table 10: Accessories List

Appendix B - Specifications

Computer Compatibility	IBM-compatible computers Apple Macintosh computers
Video Compatibility	NTSC-M/N/4.43 PAL-M/N/B/D/G/H/IK/L SECAM (B,D,G,K,K1,L) Composite and S-Video
Audio	Built-in stereo audio system with two internal 3 watt amplifiers and speakers.
Number of colors	16.7 million
Display type	3-panel polysilicon LCD
Display format	SXGA (with compression) XGA (1024x768) SVGA (800x600) resized to XGA VGA (640x480) resized to XGA
Contrast ratio	150 to 1
Lens zoom ratio	1.4 to 1
Light source	120 watt Ultra High Pressure Lamp
Lamp life	2000 hours
Brightness	700 lumens
Horizontal frequency	24.366 - 70 kHz
Vertical frequency	55.378 - 85.000 Hz
Cooling	Internal fans and ventilation
Electrical supply	AC 110/220V, 50 to 60 Hz
Power consumption	200 watts
Temperature	Ambient operating 50°F to 89.6°F (10°C to 32°C) Ambient storage -4°F to 140°F (-20°C to +60°C)
Dimensions	14 x 11 x 5 inches (35.56 cm x 27.94 cm x 12.7 cm)
Weight	13 lbs. (5.9 kilograms)

Table 11: Specifications

Appendix C - Notices, Warranties, Safety Precautions

Notices

The information in this document is subject to change without prior notification for the sake of improving reliability, design and function.

This document contains proprietary information that is protected by copyright laws. All rights are reserved. No part of this manual may be reproduced by any mechanical, electronic, or other means in any form without obtaining prior written permission from the developer.

All brand or product names are trademarks or registered trademarks of their respective companies.

Personal computers and computer software referred to in this manual are not included with this unit.

FCC Statement

Warning: This equipment generates, uses and can radiate radio frequency energy and, if not installed and used in accordance with the instruction manual, may cause interference to radio communications. It has been tested and found to comply with limits for a Class “A” computing device pursuant to Subpart B of Part 15 of the FCC Rules, which are designed to provide reasonable protection against such interference when operated in a commercial environment. Operation of this equipment in a residential area is likely to cause interference in which case the user, at his own expense, will be required to take whatever measures may be necessary to correct the interference.

Warning: Changes or modifications to this unit not expressly approved by Polaroid could void the user’s authority to operate the equipment.

Canadian Notice

This digital apparatus does not exceed the Class A limits for radio noise emissions from digital apparatus set out in the Radio Interference Regulations of the Canadian Department of Communications.

Le présent appareil numérique n’émet pas de bruits radioélectriques dépassant les limites applicables aux appareils numériques de la classe A prescrites dans le Règlement sur le brouillage radioélectrique édicté par le ministère des Communications du Canada.

European Notice

Warning: This is a Class A product. In a domestic environment this product may cause radio interference in which case the user may be required to take adequate measures. The “CE” mark certifies that this product satisfies the requirements of the EU (European Union) regarding safety, public health, environment and consumer protection. (“CE” is the abbreviation of Conformité Européenne.) This product is in

conformity with the following directives: 73/23/EEC, low voltage directive; 89/33/EEC, EMC directive; 93/68/EEC, "CE" marking directive.

Declaration of
Conformity for
U.S.A

Model Number:	PV330
Trade Name:	Polaroid
Responsible Party:	Polaroid Corporation
Address:	784 Memorial Drive Cambridge, MA 02139
Telephone Number:	1-800-343-5000

This device complies with Part 15 of the FCC Rules. Operation is subject to the following two conditions:

- 1 This device may not cause armful interference, and
- 2 This device must accept any interference received, including interference that may cause undesired operation.

Declaration of
Conformity

Model Number:	PV330
Trade Name:	Polaroid
Responsible Party:	Polaroid (Europa) BV
Address:	Hoge Botofstraat 45 7511 ZA Enschede, The Netherlands
Telephone Number:	31-53-486-5050

This device complies with the following directives and standards:

89/336/EEC

EN50081-1

EN55022 - (Class A) IT equipment emissions EN50082-1

IEC801-2

IEC801-3

IEC801-4

73/23/EEC

EN60950 - Safety of IT Equipment

Warranties

Polaroid Corporation warrants your Polaview Projector equipment against defects in manufacture for a period of one year from the date of purchase. To verify the warranty period, you should keep the sales slip or other proof of the purchase date.

Should this product, or any component or accessory included with it, become defective at any time during the warranty period, Polaroid Corporation will, at its discretion, either replace or repair this item, without charge, provided the product is returned to a designated servicing location (prepaid and insured). To ship the unit, pack the carrying case in the original carton or equivalent, with plenty of padding.

This Limited Warranty does not apply to product damage resulting from accident, incorrect installation, unauthorized modification, misuse or abuse.

U.S.A. and Canada

Before you return your equipment for repair, please call Polaroid Electronic Imaging Technical Support from within the U.S.A. at 1-800-432-5355, Monday through Friday, 8 a.m. to 8 p.m., Eastern Time. In Canada, call 1-800-268-6970. We can help you determine what is at fault, and advise you on how and where to get service in the quickest and most convenient way.

THIS WARRANTY EXCLUDES ALL INCIDENTAL AND CONSEQUENTIAL DAMAGES. ALL EXPRESSED OR IMPLIED LIABILITY FOR THIS EQUIPMENT INCLUDING BUT NOT LIMITED TO THE IMPLIED WARRANTY OF MERCHANTABILITY AND FITNESS FOR A PARTICULAR PURPOSE ARE LIMITED IN DURATION TO THE ONE-YEAR WARRANTY PERIOD.

SOME STATES DO NOT ALLOW THE EXCLUSION OR LIMITATION OF INCIDENTAL OR CONSEQUENTIAL DAMAGES OR THE DURATION OF IMPLIED WARRANTIES SO THE ABOVE LIMITATIONS MAY NOT APPLY TO YOU. THIS WARRANTY GIVES YOU SPECIFIC LEGAL RIGHTS, AND YOU MAY ALSO HAVE OTHER RIGHTS WHICH MAY VARY FROM STATE TO STATE.

Outside the U.S.A.
and Canada

THIS WARRANTY EXCLUDES ALL INCIDENTAL AND CONSEQUENTIAL DAMAGES AND DOES NOT AFFECT YOUR STATUTORY RIGHTS.

Note: No user-serviceable parts inside, with the exception of the lamp and air filter which can be replaced as described in this manual. Attempts to modify mechanical or electronic parts inside will void your warranty, and may be hazardous.

Safety
Precautions

To prevent accidents caused by improper handling or operation, please take note of the following precautions.

Be careful when handling UHP lamps.

There is a serious risk of eye damage from the intense illumination provided by the UHP lamp. Avoid direct viewing or unprotected viewing back into the projection lens.

While operating, UHP lamps are under **very high internal pressure**. Even after you turn off the lamp, the pressure remains high until the lamp cools down. At room temperature the internal pressure drops to about one atmosphere.

Handle the UHP lamp by the metal parts only. Do not get fingerprints on the glass of the lamp. This could adversely affect its operation. If fingerprints get on the glass, clean it with alcohol and a clean, lint free cloth or tissue. Clean the lamp before turning it on. A hot lamp will etch the fingerprint permanently into the glass and affect performance.

Do not attempt to repair the product yourself. Opening the case may expose the user to dangerous voltage or other hazards.

Keep the product away from dirt and dust, and periodically wipe its surface with a soft, dry cloth. You can remove stubborn marks by using a soft cloth moistened with a mild detergent.

Avoid condensation that is caused by moving the projector from a cold environment to a warm, humid environment. If condensation occurs, allow the projector to dry out completely before powering it up.

If the product will not be in use for a long period of time, disconnect the power plug from the AC outlet.

Avoid using the product under the following conditions:

- Extremely hot, cold or humid environments
- Areas susceptible to dust
- Near an appliance that generates a strong magnetic field
- In direct sunlight

Index

Numerics

800 number for Technical Support, 49

A

AC power

- connecting, 2
- specifications, 46

Accessories and parts, 45

Adapters

- Macintosh computers, 30
- remote mouse, 45

Adjusting

- for room lighting, 22
- image height, 12
- image size, 10

Alignment problems, 40

Audio

- connecting, 6
- specifications, 46

Audio In connector, 6

Audio Menu options, 19

Audio Out connector, 6

B

Back filter, cleaning/replacing, 37

Balance feature, 20

Bass, controlling, 20

BIOS, changing, 30

Blank screen, 39

Bright Room, 22

Brightness

- adjusting, 22
- specifications, 46

Bulb, replacing light, 37

Buttons

- Arrange, 32
- Change Driver, 29
- On/Standby, 14
- remote control, 15

C

Cables

- monitor, connecting, 3, 5
- parts and accessories, 45
- stereo audio, 6
- VGA, connecting, 5

Canadian notice, 47

Care and use precautions, 50

Ceiling Mount, controlling, 24

Characters, dark, 40

Cleaning precautions, 50

Cleaning/replacing filters, 37

Color specifications, 46

Colors, poor, 40

Composite

- inputs, 1, 46
- video cable, 46

Composite video, as input signal source, 23

Compressed image, 3

Compression

- enable, disable, 24

Computer

- activating external video port, 32
- as input signal source, 23
- compatibility, 1, 46

Computer In connection, 3, 5

Configuration problems, 39

Configuring remote mouse, 28

Connecting

- audio, 6
- Computer In, 3, 5
- Macintosh computers, 4, 5, 30
- Monitor Out, 3
- personal computers, 3, 4, 5
- power, 2
- remote mouse, 7
- VGA cable, 5

Contrast ratio, 46

Contrast, adjusting, 21

Control, remote, 15

Cooling specifications, 46

Copyright information, 47

Cords, 45

Crooked display, 40

Cropped image, 3

Curtain Style

- adjusting, menu, 24

Custom logo, 24

Custom Modes Menu options, 25

Custom Startup Logo, installing, 28

D

- Dark characters, 40
- Dark Room, 22
- Dimensions of projector, 46
- DIP switches, setting, 5, 30
- Display
 - crooked, 40
 - formats, 3, 46
 - noisy in video mode, 40
 - poor colors, 40
 - problems, 39, 40
 - specifications, 46
 - switch settings, 30
- Displaying
 - lamp life, 27
 - projector usage, 27
 - test pattern, 27
- Drivers, mouse, 28
- Dust filters, cleaning/replacing, 37

E

- Electrical specifications, 46
- Elevator foot, 12
- Elevator Foot Release, 12
- Environment specifications, 46
- European notice, 47
- External speakers, connecting to, 6
- External video port, activating, 32

F

- Fan specifications, 46
- FCC statement, 47
- Features Menu options, 23
- Features of projector, 1
- Filters, cleaning/replacing, 37
- Flipping image, 24
- Focus Ring, 10
- Focus, adjusting, 10
- Focusing
 - image, 10
- Frequency
 - adjusting, 21
 - problems, 39
 - specifications, 46
- Functions, remote control, 15

H

- Happy Macintosh icon, 32
- Help, getting technical, 49

I

- IBM-compatible computers. *See* Personal computers
- Icon, Happy Macintosh, 32
- Image
 - compressed, 3
 - focus, 10
 - height, 12
 - leveling, 13
 - reversing, 24
 - rolling, 40
 - size, 10
- Image compression, enabling or disabling, 24
- Image height, adjusting, 12
- Image size, adjusting, 10
- Image, leveling, 13
- Input signal source
 - computer, composite video, S-video, 23
- Installing custom startup logo, 28
- Interface adapters for Macintosh computers, 31
- Internal pointer, using with remote mouse, 29

J

- Joystick, 15

K

- Keys, port activation, 32

L

- Lamp, 14, 46
 - replacing, 37
 - specifications, 46
 - ultra high pressure, 1
 - won't turn on, 14
- Lamp life, displaying, 27
- Lamp timer, resetting, 27
- Language, on-screen menus, 23
- Laptop personal computer, connecting to, 4
- Legal notices, 47
- Lens zoom ratio, 46
- Leveling
 - feet, 13
 - Foot, 13
 - image, 13
- Light bulb, replacing, 37
- Light source specifications, 46
- Linear Stereo, 20
- Lines, vertical in background, 39
- Live state, 14

-
- Logo
 - choosing startup, 24
 - custom, 24, 28
 - default, 24
 - off, 24
 - startup, 9

 - M
 - Macintosh computers, connecting to, 4, 30
 - Main menu, use of Reset, 19
 - Maintaining projector, 37
 - Manufacturers, activate external video port, 32
 - Menus, 18–27
 - Message, Will Shut Down In..., 14
 - Microsoft PowerPoint®, problem using remote mouse, 30
 - Mirroring option, 31
 - Monitor cable, connecting, 3, 5
 - Monitor Out, connecting, 3
 - Mono, 20
 - Mouse, remote, 7, 28
 - Multisync switch settings, 30
 - Mute feature, 20

 - N
 - Noisy display in video mode, 40
 - Normal room, 22
 - Notices, legal, 47
 - NTSC, 1, 46

 - O
 - On/Standby button, 14, 15
 - On-screen menus, language choices, 23
 - Operating
 - specifications, 46
 - states, 14

 - P
 - PAL, 1, 46
 - Parts and accessories, 45
 - Personal computers
 - activating external video port, 32
 - connecting to, 3, 4, 5
 - Picture Menu options, 20
 - Polaroid Polaview 330 LCD projector. *See* Projector
 - Polaroid Technical Support, 49
 - Poor display quality, 40
 - Port, activating external video, 32
 - Portable Macintosh computer, connecting to, 5
 - Power
 - connecting, 2
 - specifications, 46
 - Powered external speakers, connecting to, 6
 - Powering up the projector, 9
 - PowerPoint®, problems with, 30
 - Precautions, safety, 50
 - Problems
 - PowerPoint®, 30
 - projector, 39
 - Processor Direct Slot (PDS), 31
 - Projecting images
 - from behind screen, 24
 - from upside down ceiling mount, 24
 - Projector
 - alignment problems, 40
 - audio, connecting, 6
 - cleaning precautions, 50
 - connecting to Macintosh computers, 4, 30
 - connecting to personal computer, 3, 5
 - dimensions, 46
 - features, 1
 - filters, cleaning/replacing, 37
 - focus, adjusting, 10
 - image height, adjusting, 12
 - image level, adjusting, 13
 - image size, adjusting, 10
 - lamp, 1, 37
 - legal notices, 47
 - Macintosh issues, 30
 - maintaining, 37
 - operating states, 14
 - parts and accessories, 45
 - powering up, 9
 - safety precautions, 50
 - setting up, 28, 30
 - troubleshooting, 39
 - warranties, 49
 - Projector life, displaying, 27
 - Projector usage, displaying, 27
 - Pseudo Stereo, 20

 - Q
 - Quality problems with display, 39

 - R
 - Ratio specifications, 46
 - Rear Projection, controlling, 24
-

- Remote control, 15, 40
- Remote mouse
 - configuring, 28
 - connecting, 7
 - problem using Microsoft PowerPoint®, 30
 - using with internal pointer, 29
- Replacing lamp module, 37
- Reset
 - use on main menu, 19
 - use on submenu, 19
- Resetting lamp life timer, 27
- Resolution, setting, 3
- Reversing image, 24
- Room Light menu, 22
- Room lighting, adjusting for, 22

- S
- Safety precautions, 50
- Screen, blank, 39
- SECAM, 1, 46
- Service Menu options, 26
- Setting
 - DIP switches, 5, 30
 - up projector, 28, 30
- Sharpness, adjusting, 22
- Slanted display, 40
- Sleep state, 14
- Source Menu options, 22
- Spare parts, 45
- Spatial Stereo, 20
- Standby state, 14
- Startup logo, 9
 - menu, 24
 - selecting, 24
- Startup pending state, 14
- Start-up sequence, and selections in projector
 - system menus, 9
- States, operating, 14
- Stereo audio
 - connecting, 6
 - specifications, 46
- Stereo Mode menu, 20
- Storage specifications, 46
- Submenu, use of Reset, 19
- SVGA
 - DIP switch settings, 30
 - display format, 46
- S-video
 - compatibility, 1, 46
 - specifications, 46
- S-video, as input signal source, 23
- SXGA display format, 3, 46

- T
- Technical Support, 49
- Temperature specifications, 46
- Test pattern, displaying, 27
- Tint, adjusting, 22
- Tracking, adjusting, 21
- Treble, controlling, 20
- Troubleshooting, 39

- U
- Ultra high pressure lamp, 1

- V
- Vertical lines in background, 39
- VGA
 - cable problems, 40
 - cable, connecting, 5
 - DIP switch settings, 30
 - display format, 46
 - port, activating, 32
- Video
 - card, PDS, 31
 - compatibility, 1, 46
 - out for Macintosh PowerBooks, 31
 - port, activating external, 32
 - problems, 40
 - specifications, 46
- Video Mirroring, 31
- Volume, controlling, 20

- W
- Warnings, 50
- Warranties, 49
- Weight of projector, 46
- Will Shut Down In... message, 14

- X
- XGA display format, 1, 3, 46

- Z
- Zoom Ring Tab, 10
- Zoom, lens ratio, 46